



www.Source1Parts.com

TM9Y SERIES 95% TWO STAGE MULTI-POSITION 33" NATURAL GAS FURNACES WITH HIGH EFFICIENCY MOTOR (STYLE A)

HVAC SERVICE PARTS

Supersedes: 035-24450-001 Rev. F (1117)

035-24550-001 Rev. G (0418)

1 of 4

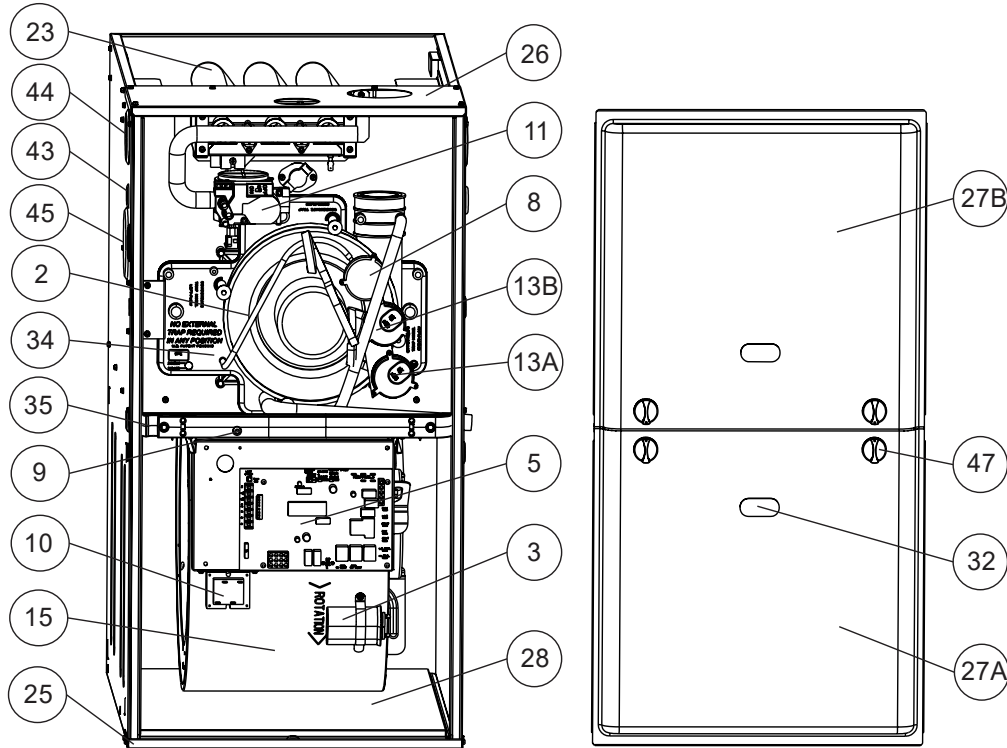


Figure 1: 95% TWO STAGE MULTI-POSITION NATURAL GAS FURNACES WITH HIGH EFFICIENCY MOTORS

FIG	ITEM	DESCRIPTION	TM9Y040A10MP11A	TM9Y060B12MP11A	TM9Y080B12MP11A	TM9Y080C16MP11A
			(2 BURNER)	(3 BURNER)	(4 BURNER)	(4 BURNER)
MOTOR						
2	1	MOTOR, STD ECM BLOWER (Prog)	S1-02436037000	S1-02435887000	S1-02435887000	S1-02435846000
		MOTOR, STD ECM BLOWER (Unprog)	S1-02435848000	S1-02435848000	S1-02435848000	S1-02435848000
1,2	2	BLOWER, COMBUSTION	S1-32649693000	S1-32649693000	S1-32649693000	S1-32649693000
ELECTRICAL						
3	4	SWITCH, LIMIT(250 Deg Man Reset) (2 ea.)	S1-02541318000	S1-02541318000	S1-02541318000	S1-02541318000
1,2	5	CONTROL, FURNACE	S1-33103494000	S1-33103494000	S1-33103494000	S1-33103494000
3	6	IGNITER	S1-02549808000	S1-02549808000	S1-02549808000	S1-02549808000
3	7	SENSOR, FLAME	S1-02537499000	S1-02537499000	S1-02537499000	S1-02537499000
1,2	8	SWITCH, PRESSURE	S1-02439716000	S1-02439716000	S1-02439716000	S1-02439716000
2	9	SWITCH, DOOR	S1-02435738000	S1-02435738000	S1-02435738000	S1-02435738000
2	10	TRANSFORMER	S1-2940A3541	S1-2940A3541	S1-2940A3541	S1-2940A3541
1,3	11	VALVE, GAS	S1-02544124000	S1-02544124000	S1-02544124000	S1-02544124000
2	12	CONTROL, TEMPERATURE	S1-02547296000	S1-02547297000	S1-02541321000	S1-02541320000
1,2	13A	SWITCH, PRESSURE - 0.45 (2 STAGE)	S1-02439717000	S1-02439717000	S1-02439717000	S1-02439717000
1,2	13B	SWITCH, PRESSURE - 0.90 (2 STAGE)	S1-02439718000	S1-02439718000	S1-02439718000	S1-02439718000
	14					
AIR MOVING						
2	15	HOUSING, BLOWER	S1-37327824001	S1-37327824001	S1-37327824001	S1-37327824002
2	16	WHEEL, BLOWER	S1-02619654709	S1-02619654709	S1-02619654709	S1-02619654014
FABRICATED PARTS						
	17					
3	18	BURNER, MAIN GAS	S1-02920482000	S1-02920482000	S1-02920482000	S1-02920482000
	19					
2	20	SHELF, BLOWER	S1-07327823001	S1-07327823002	S1-07327823002	S1-07327823003

NOTE: *Not Shown
 New replacement parts shown in **bold** face type at the first printing of parts list dated 4/18
 Major components and suggested stocking items are shown with shaded item number.
 "<" Across from row indicates a change in that row, changed part numbers in red.
 --- Not applicable to specified model.

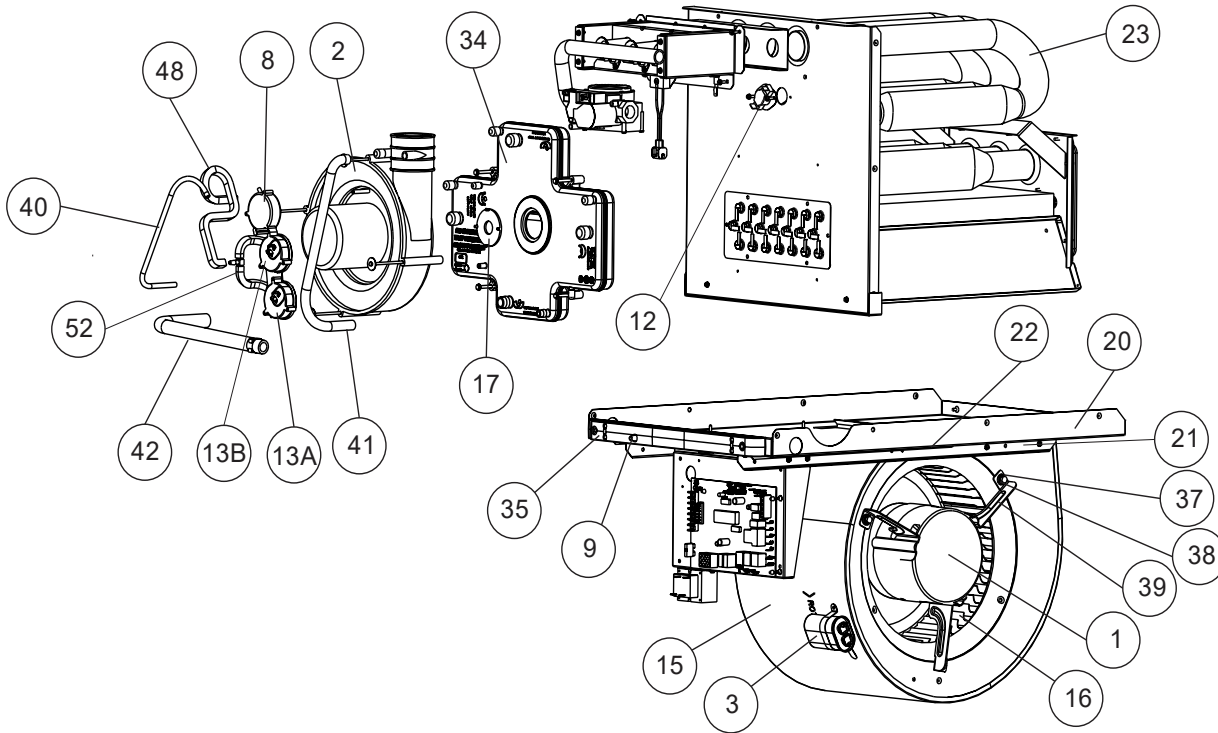


Figure 2: 95% TWO STAGE MULTI-POSITION NATURAL GAS FURNACES WITH HIGH EFFICIENCY MOTORS

FIG	ITEM	DESCRIPTION	TM9Y040A10MP11A	TM9Y060B12MP11A	TM9Y080B12MP11A	TM9Y080C16MP11A
			(2 BURNER)	(3 BURNER)	(4 BURNER)	(4 BURNER)
FABRICATED PARTS (continued)						
2	21	RAIL, BLOWER (2 Req'd)	S1-07327825001	S1-07327825001	S1-07327825001	S1-07327825001
2	22	BRACKET, BLOWER TRACK (2 Req'd)	S1-07327825002	S1-07327825002	S1-07327825002	S1-07327825002
2	23	HEAT EXCHANGER ASS'Y	S1-37327843001	S1-37327843003	S1-37327843004	S1-37327843005
3	24	MANIFOLD, GAS	S1-02924466000	S1-02924467000	S1-02924468000	S1-02924468000
1	25	PAN, BOTTOM	S1-07327841001	S1-07327841002	S1-07327841002	S1-07327841003
1	26	PANEL, TOP	S1-07327842001	S1-07327842002	S1-07327842003	S1-07327842004
1	27A	PANEL, DOOR (Lower)	S1-37327822001	S1-37327822002	S1-37327822002	S1-37327822003
1	27B	PANEL, DOOR (Upper)	S1-37339423001	S1-37339423002	S1-37339423002	S1-37339423003
1	28	PANEL, BLOCKOFF	S1-07327827001	S1-07327827002	S1-07327827002	S1-07327827003
MISCELLANEOUS						
3	31	ORIFICE, BURNER (Natural #45)	S1-02921182045	S1-02921182045	S1-02921182045	S1-02921182045
1	32	SIGHT GLASS, OVAL (2 Req'd)	S1-02538899000	S1-02538899000	S1-02538899000	S1-02538899000
*	33	GASKET, FOAM (Door) (per ft.)	S1-02817061000	S1-02817061000	S1-02817061000	S1-02817061000
1,2	34	PAN, CONDENSATE	S1-32816424000	S1-32816447000	S1-32816448000	S1-32816448000
2	35	BRACKET, DOOR	S1-02815512000	S1-02815513000	S1-02815513000	S1-02815514000
*	36	HARNESS, WIRING	S1-32542734000	S1-32542734000	S1-32542734000	S1-32542734000
2	37	FERRULE (3 Req'd)	S1-02320541000	S1-02320541000	S1-02320541000	S1-02320541000
2	38	GROMMET (3 Req'd)	S1-02814740000	S1-02814740000	S1-02814740000	S1-02814740000
2	39	MOTOR MOUNT (Includes item 37 & 38)	S1-37319831002	S1-37319831002	S1-37319831002	S1-37319831002
2	40	TUBING, EPDM, ROUND	S1-02816427000	S1-02816427000	S1-02816427000	S1-02816427000
2	41	HOSE, RAIN GUTTER	S1-02815539000	S1-02815539000	S1-02815539000	S1-02815539000
2	42	HOSE, CONDENSATE	S1-02815540000	S1-02815855000	S1-02815540000	S1-02815855000
1	43	PLUG, SEAL, 7/8" (5 Req'd)	S1-02815853000	S1-02815853000	S1-02815853000	S1-02815853000
1	44	PLUG, SEAL, 2-3/8" (2 Req'd)	S1-02815854000	S1-02815854000	S1-02815854000	S1-02815854000
1	45	PLUG, VENT PIPE (2 Req'd)	S1-02924406001	S1-02924406001	S1-02924406001	S1-02924406001
*	46	BAG, PARTS	S1-02924480000	S1-02924480000	S1-02924480000	S1-02924481000
1	47	KNOB, QUARTER TURN (4 Req'd)	S1-02924485000	S1-02924485000	S1-02924485000	S1-02924485000
*	48	TUBING, EPDM FORMED LOOP	S1-02815878001	S1-02815878001	S1-02815878001	S1-02815878001
*	49	HARNESS, MOTOR CONTROL	S1-02542648000	S1-02542648000	S1-02542648000	S1-02542648000
*	50	HARNESS, MOTOR POWER	S1-02542647000	S1-02542647000	S1-02542647000	S1-02542647000
*	51	GROMMET, 1-5/8"	S1-02814787000	S1-02814787000	S1-02814787000	S1-02814787000
*	52	TUBING, SQUARE EPDM (per ft.)	S1-02815878000	S1-02815878000	S1-02815878000	S1-02815878000
2	53	TUBING, GRAY SILICONE (per ft.)	S1-02812499001	S1-02812499001	S1-02812499001	S1-02812499001
*	54	DIAGRAM, WIRING	5111807	5111807	5111807	5111807
*	55	BADGE, BRAND (Door)	CONSULT SOURCE 1 ACCOUNT REP.			

NOTE: *Not Shown
 New replacement parts shown in **bold** face type at the first printing of parts list dated 4/18.
 Major components and suggested stocking items are shown with shaded item number.
 "<" Across from row indicates a change in that row., changed part numbers in red.
 --- Not applicable to specified model.

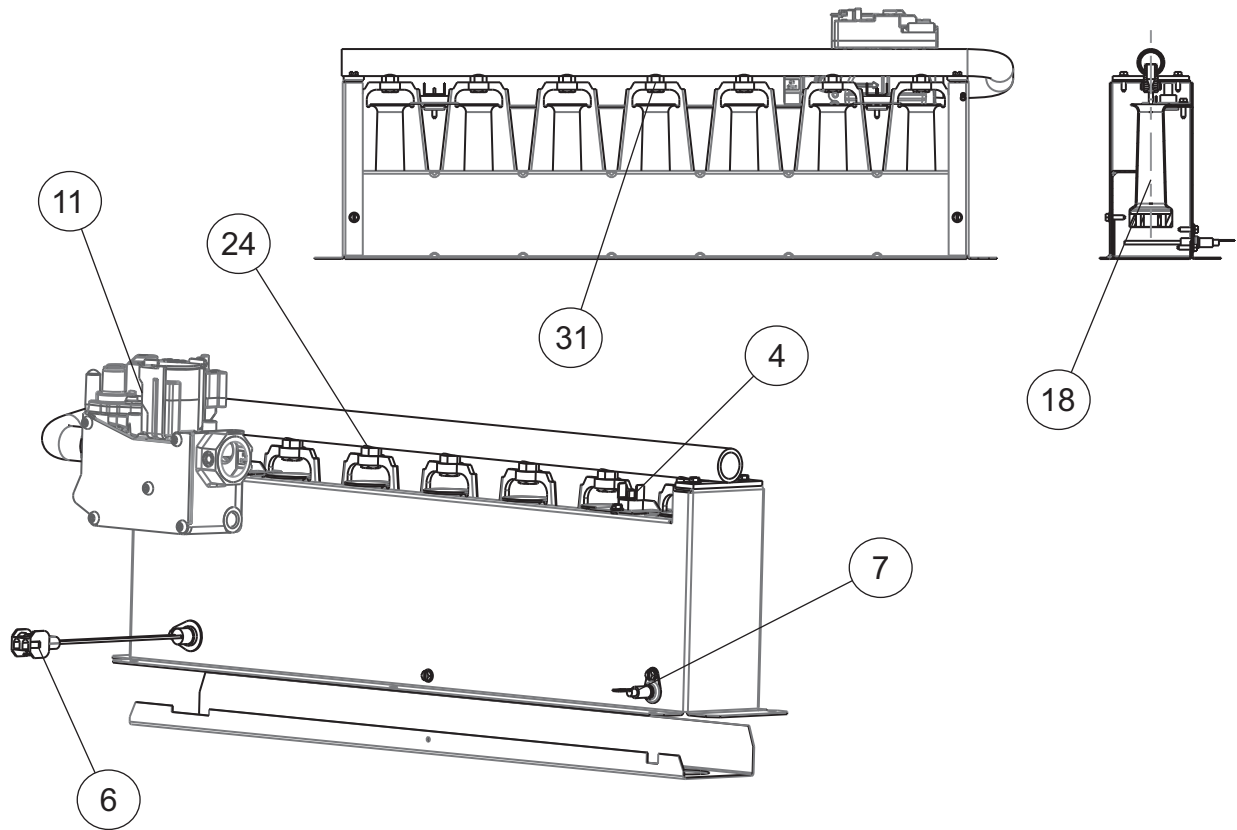


Figure 3: GAS CONTROLS<

FIG	ITEM	DESCRIPTION	TM9Y100C16MP11A	TM9Y100C20MP11A	TM9Y120D20MP11A
			(5 BURNER)	(5 BURNER)	(6 BURNER)
MOTOR					
2	1	MOTOR, STD ECM BLOWER (Prog)	S1-02435846000	S1-02435847001	S1-02435847001
		MOTOR, STD ECM BLOWER (Unprog)	S1-02435848000	S1-02436071000	S1-02436071000
1,2	2	BLOWER, COMBUSTION	S1-32649693000	S1-32649693000	S1-32649693000
ELECTRICAL					
*	3	CHOKE, POWER	---	S1-02435605000	S1-02435605000
3	4	SWITCH, LIMIT (250 Deg, Man Reset) (2 ea.)	S1-02541318000	S1-02541318000	S1-02541318000
1,2	5	CONTROL, FURNACE	S1-33103494000	S1-33103494000	S1-33103494000
3	6	IGNITER	S1-02549808000	S1-02549808000	S1-02549808000
3	7	SENSOR, FLAME	S1-02537499000	S1-02537499000	S1-02537499000
1,2	8	SWITCH, PRESSURE	S1-02439716000	S1-02439716000	S1-02439716000
2	9	SWITCH, DOOR	S1-02435738000	S1-02435738000	S1-02435738000
2	10	TRANSFORMER	S1-2940A3541	S1-2940A3541	S1-2940A3541
1,3	11	VALVE, GAS	S1-02544124000	S1-02544124000	S1-02544124000
2	12	CONTROL, TEMPERATURE	S1-02547297000	S1-02547297000	S1-02547297000
1,2	13A	SWITCH, PRESSURE - 0.45 (2 STAGE)	S1-02439717000	S1-02439717000	S1-02439717000
1,2	13B	SWITCH, PRESSURE - 0.90 (2 STAGE)	S1-02439718000	S1-02439718000	S1-02439718000
	14				
AIR MOVING					
1,2	15	HOUSING, BLOWER	S1-37327824002	S1-37327824003	S1-37327824003
2	16	WHEEL, BLOWER	S1-02619654014	S1-02638510000	S1-02638510000

NOTE: *Not Shown
 New replacement parts shown in **bold** face type at the first printing of parts list dated 4/18.
 Major components and suggested stocking items are shown with shaded item number.
 "<" Across from row indicates a change in that row., changed part numbers in red.
 --- Not applicable to specified model.

FIG	ITEM	DESCRIPTION	TM9Y100C16MP11A	TM9Y100C20MP11A	TM9Y120D20MP11A
			(5 BURNER)	(5 BURNER)	(6 BURNER)
FABRICATED PARTS					
	17				
3	18	BURNER, MAIN GAS	S1-02920482000	S1-02920482000	S1-02920482000
	19				
2	20	SHELF, BLOWER	S1-07327823003	S1-07327823004	S1-07327823005
2	21	RAIL, BLOWER (2 Req'd)	S1-07327825001	S1-07327825001	S1-07327825001
2	22	BRACKET, BLOWER TRACK (2 Req'd)	S1-07327825002	S1-07327825002	S1-07327825002
2	23	HEAT EXCHANGER ASS'Y	S1-37327843007	S1-37327843007	S1-37327843008
3	24	MANIFOLD, GAS	S1-02924469000	S1-02924469000	S1-02924470000
1	25	PAN, BOTTOM	S1-07327841003	S1-07327841003	S1-07327841004
1	26	PANEL, TOP	S1-07327842005	S1-07327842005	S1-07327842006
1	27A	PANEL, DOOR (Lower)	S1-37327822003	S1-37327822003	S1-37327822004
1	27B	PANEL, DOOR (Upper)	S1-37339423003	S1-37339423003	S1-37339423004
1	28	PANEL, BLOCKOFF	S1-07327827003	S1-07327827003	S1-07327827004
MISCELLANEOUS					
3	31	ORIFICE, BURNER (Natural #45)	S1-02921182045	S1-02921182045	S1-02921182045
1	32	SIGHT GLASS, OVAL (2 Req'd)	S1-02538899000	S1-02538899000	S1-02538899000
*	33	GASKET, FOAM (Door) (per ft.)	S1-02817061000	S1-02817061000	S1-02817061000
1,2	34	PAN, CONDENSATE	S1-32816449000	S1-32816449000	S1-32816421000
2	35	BRACKET, DOOR	S1-02815514000	S1-02815514000	S1-02815515000
*	36	HARNES, WIRING	S1-32542734000	S1-32542734000	S1-32542734000
2	37	FERRULE (3 Req'd)	S1-02320541000	S1-02320541000	S1-02320541000
2	38	GROMMET (3 Req'd)	S1-02814740000	S1-02814740000	S1-02814740000
2	39	MOTOR MOUNT (Includes item 37 & 38)	S1-37319831002	S1-37319831002	S1-37319831002
2	40	TUBING, EPDM, ROUND	S1-02816427000	S1-02816427000	S1-02816427000
2	41	HOSE, RAIN GUTTER	S1-02815539000	S1-02815539000	S1-02815539000
2	42	HOSE, CONDENSATE	S1-02815856000	S1-02815856000	S1-02815857000
1	43	PLUG, SEAL, 7/8" (5 Req'd)	S1-02815853000	S1-02815853000	S1-02815853000
1	44	PLUG, SEAL, 2-3/8" (2 Req'd)	S1-02815854000	S1-02815854000	S1-02815854000
1	45	PLUG, VENT PIPE (2 Req'd)	S1-02924406001	S1-02924406001	S1-02924406001
*	46	BAG, PARTS	S1-02924481000	S1-02924481000	S1-02924481000
1	47	KNOB, QUARTER TURN (4 Req'd)	S1-02924485000	S1-02924485000	S1-02924485000
*	48	TUBING, EPDM FORMED LOOP	S1-02815878001	S1-02815878001	S1-02815878001
*	49	HARNES, MOTOR CONTROL	S1-02542648000	S1-02542648000	S1-02542648000
*	50	HARNES, MOTOR POWER	S1-02542647000	S1-02542647000	S1-02542647000
*	51	GROMMET, 1-5/8"	S1-02814787000	S1-02814787000	S1-02814787000
*	52	TUBING, SQUARE EPDM (per ft.)	S1-02815878000	S1-02815878000	S1-02815878000
*	53	TUBING, GRAY SILICONE (per ft.)	S1-02812499001	S1-02812499001	S1-02812499001
*	54	DIAGRAM, WIRING	5111807	5111807	5111807
*	55	BADGE, BRAND (Door)	CONSULT SOURCE 1 ACCOUNT REP.		

NOTE: *Not Shown

New replacement parts shown in **bold** face type at the first printing of parts list dated 4/18.

Major components and suggested stocking items are shown with shaded item number.

"←" Across from row indicates a change in that row., changed part numbers in red.

--- Not applicable to specified model.

TO ORDER AUTHORIZED FACTORY REPLACEMENT PARTS - Contact your Source1 HVAC Parts Distributor or visit our website at www.Source1Parts.com for a Distributor and Dealer listing.